

The AQUIKO Lightweight Penstock has been designed and manufactured in the UK using the most cutting-edge techniques. Our penstocks are made from HDPE and stainless steel 316 and have a design life of 50 years*.

The AQUIKO Lightweight Penstock range has been designed and engineered with a pressure rating of 3MwC, with leakage rates compliant with BS7775.

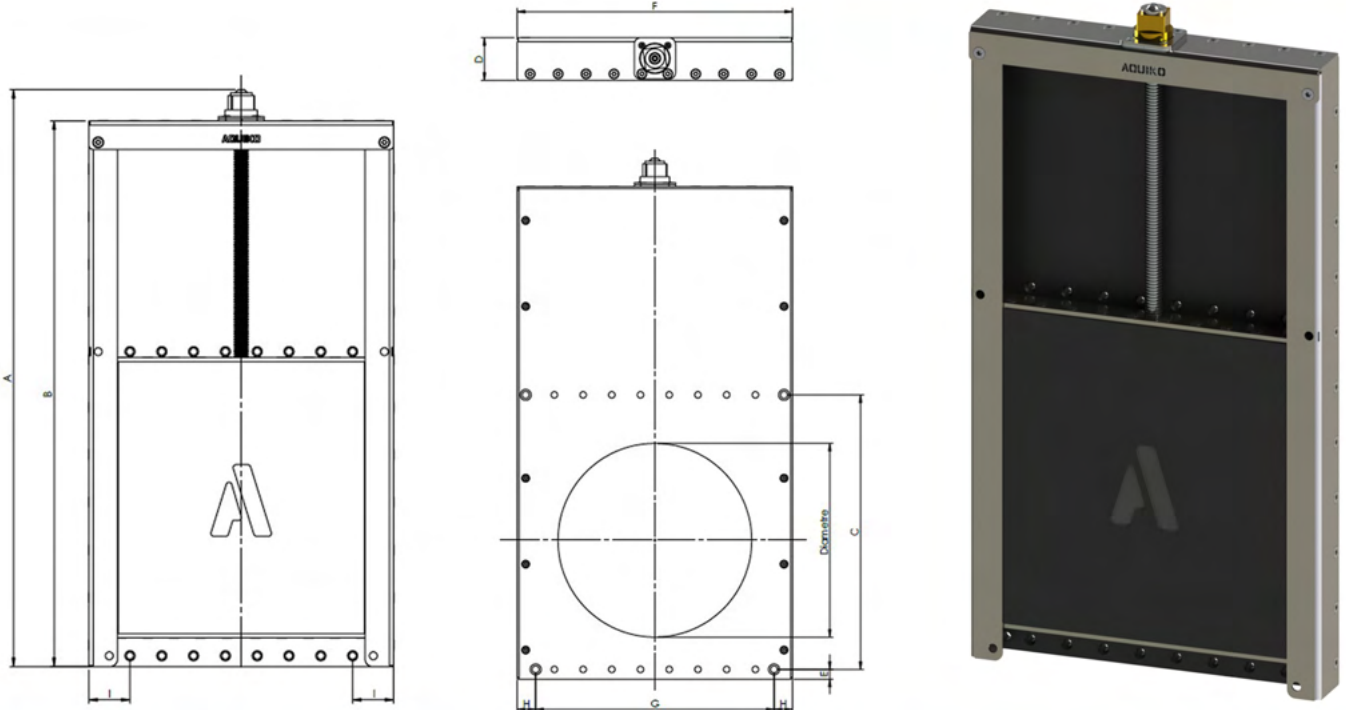
Due to the penstocks unique compact design, the narrow frame ensures it fits in even the tightest spaces. The Lightweight range is compatible with the AQUIKO Ancillary product range

The AQUIKO Lightweight Penstock ranges from 100mm to 400mm, ideal for smaller applications.

3MwC PRESSURE RATING

LIGHTWEIGHT & ROBUST

ANCILLARY PACKAGE AVAILABLE



Diameter	A	B	C	D	E	F	G	H	I	Weight (KG.)
100	406	363	225	66	15	226	169	29	80	7
150	506	463	275	66	15	276	219	29	63	10
200	66	563	325	66	15	326	269	29	73	13
250	706.15	662.5	375	66	15	376	319	29	83	16
300	806	763	425	66	15	426	369	29	57	19
400	1006	963	525	66	15	526	469	29	69	27



 **Manufactured in the UK**

 01777 819734

 info@aquiko.co.uk

 www.aquiko.co.uk

 Trading as Aquatic Control Engineering Ltd