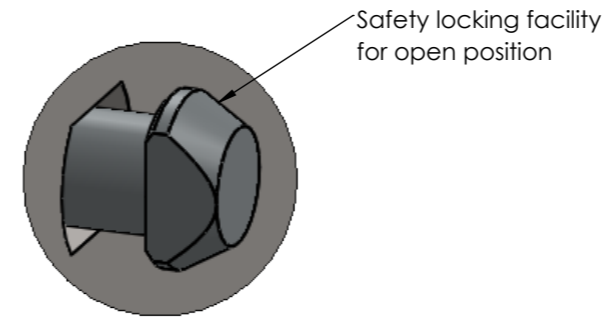
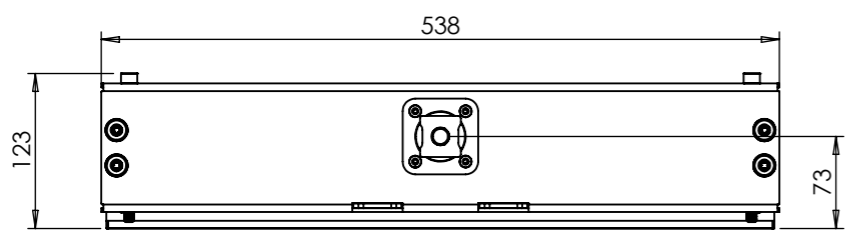
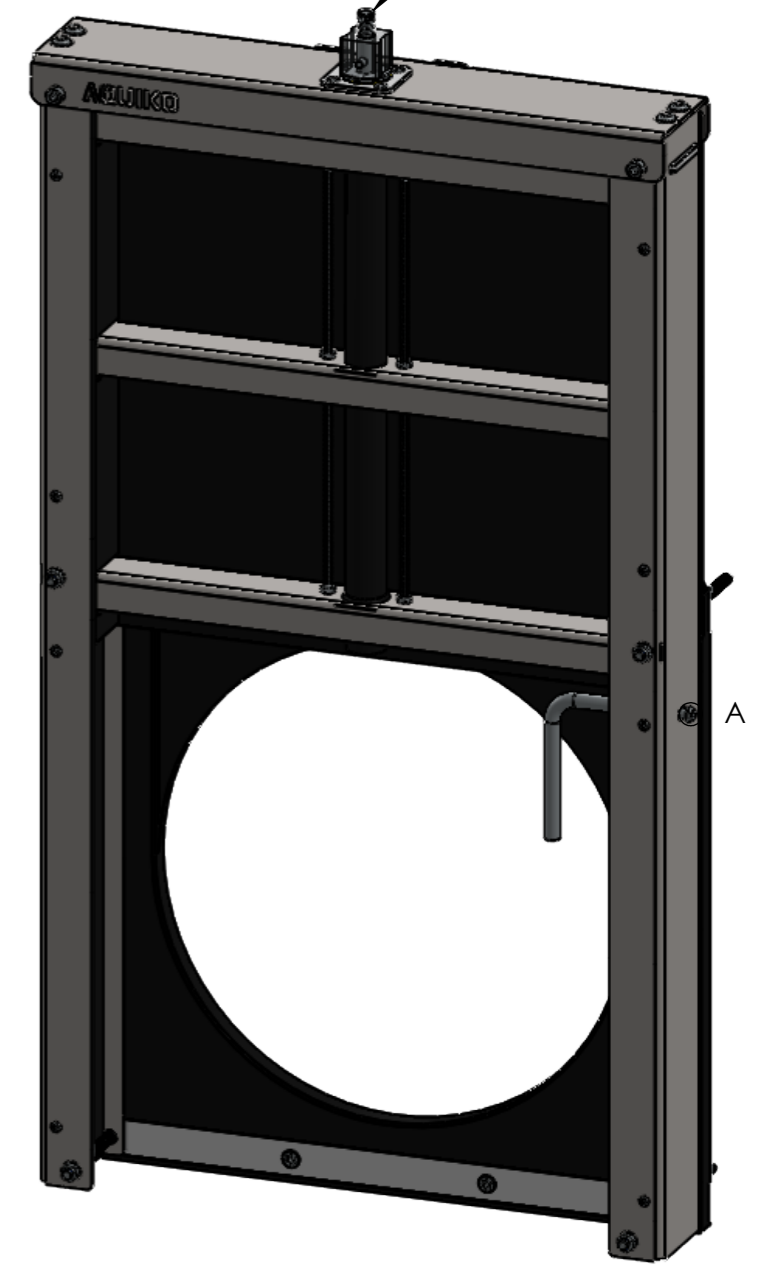
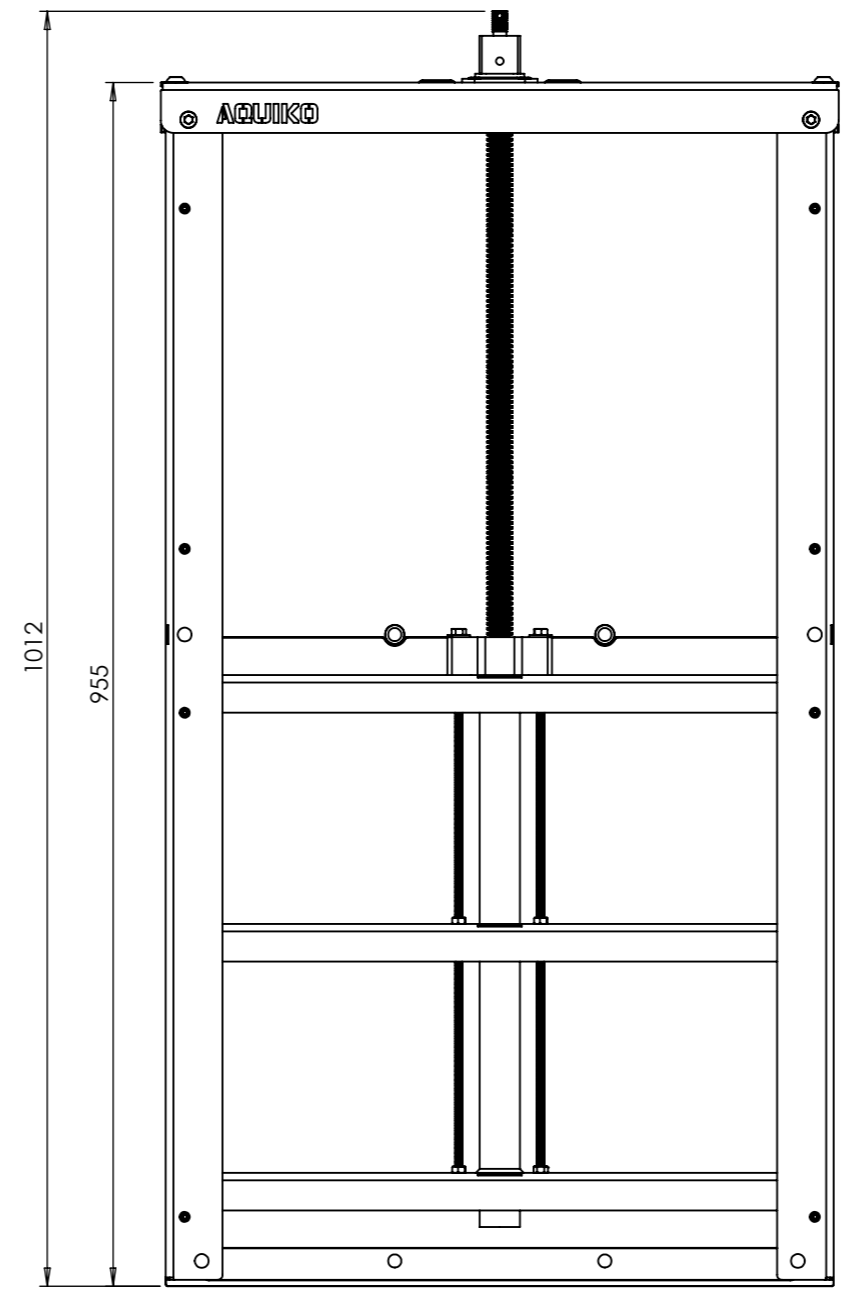
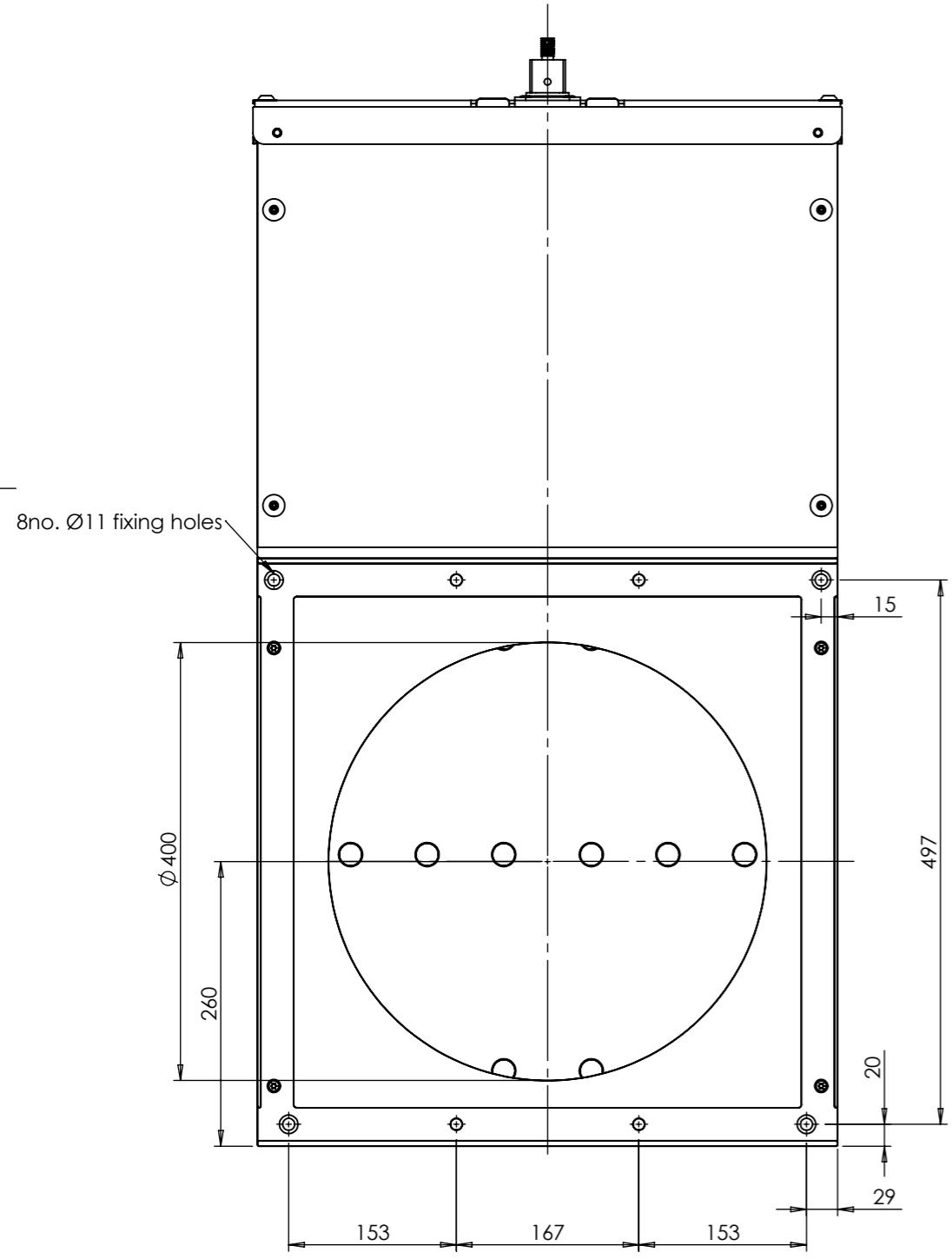
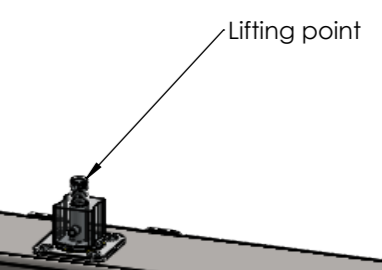


1 2 3 4 5 6 7 8

A  
B  
C  
D  
E  
F



DETAIL A  
SCALE 2 : 1



Materials:  
 Plastic parts: HDPE  
 Metallic Parts: Stainless Steel 316L  
 Seals: EPDM Closed cell rubber  
 Fitted using A4 stainless rods

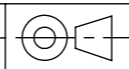
	Name	Date
Received by		
Inspected by		
Assembled by		
Dispatched by		



[WWW.AQUIKO.CO.UK](http://WWW.AQUIKO.CO.UK)

AQUIKO is a trading name of Aquatic Control Engineering

All designs subject to Copyright  
 STRICTLY CONFIDENTIAL



NAME	DATE
DRAWN RE	13/12/2021
CHK'D	
APP'VD	
WEIGHT (kg):	29.5

DO NOT SCALE DRAWING  
 UNLESS OTHERWISE SPECIFIED: DIMENSIONS ARE IN MILLIMETERS LINEAR, ANGULAR AND EDGE TOLERANCES ARE TO ACE DOC. DRAWING STANDARDS-2018-JC-0

TITLE:
2-400-APS PE GA.SLDDRW
SCALE 1:6 REVISION A