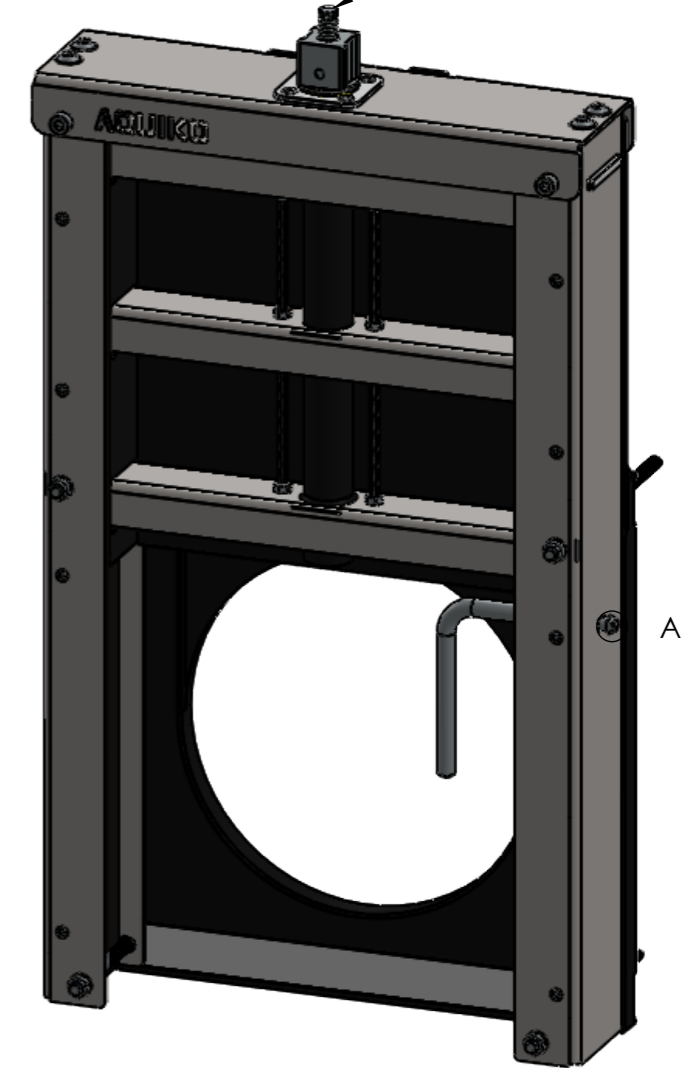


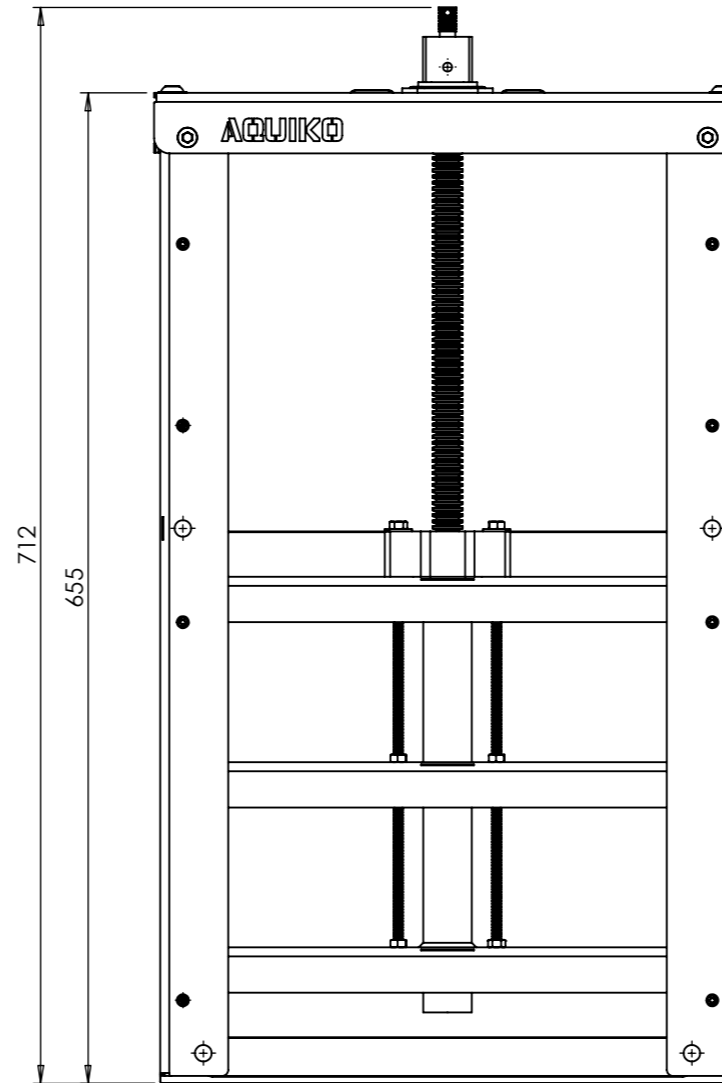
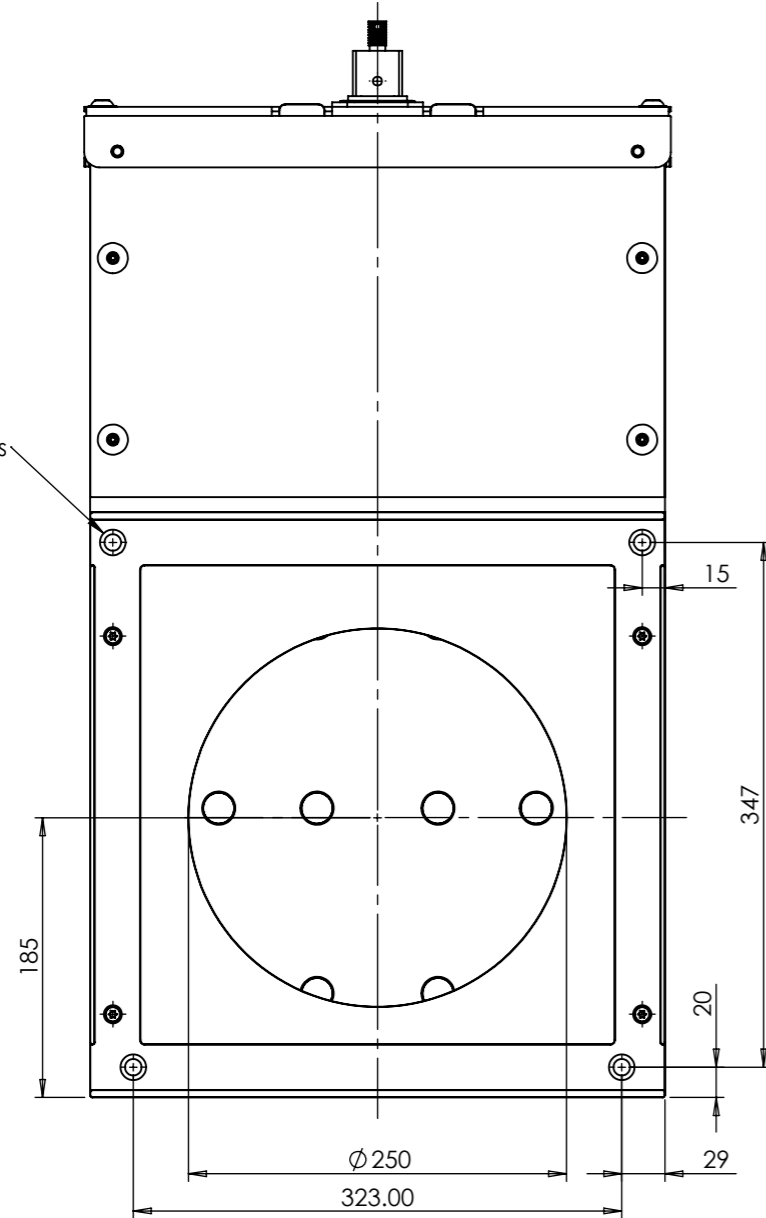
Safety locking facility for open position

DETAIL A
SCALE 2 : 1

Lifting point



4no. Ø11 fixing holes



Materials:
Plastic parts: HDPE
Metallic Parts: Stainless Steel 316L
Seals: EPDM Closed cell rubber
Fitted using A4 stainless rods

	Name	Date
Received by		
Inspected by		
Assembled by		
Dispatched by		



NAME	DATE
DRAWN RE	13/12/2021
CHK'D	
APP'VD	

DO NOT SCALE DRAWING
UNLESS OTHERWISE SPECIFIED: DIMENSIONS ARE IN MILLIMETERS LINEAR, ANGULAR AND EDGE TOLERANCES ARE TO ACE DOC. DRAWING STANDARDS-2018-JC-0

TITLE:

2-250-APS-PE GA.SLDDRW

WEIGHT (kg): 18.9

SCALE 1:5

REVISION A