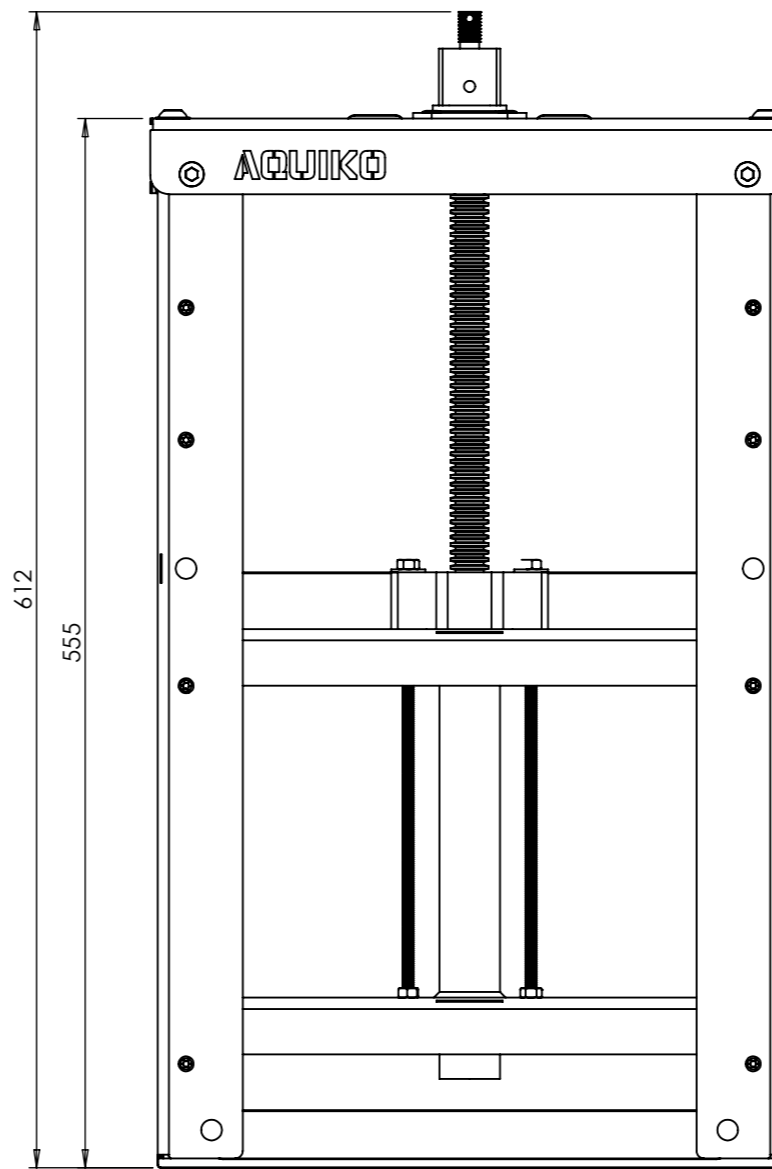
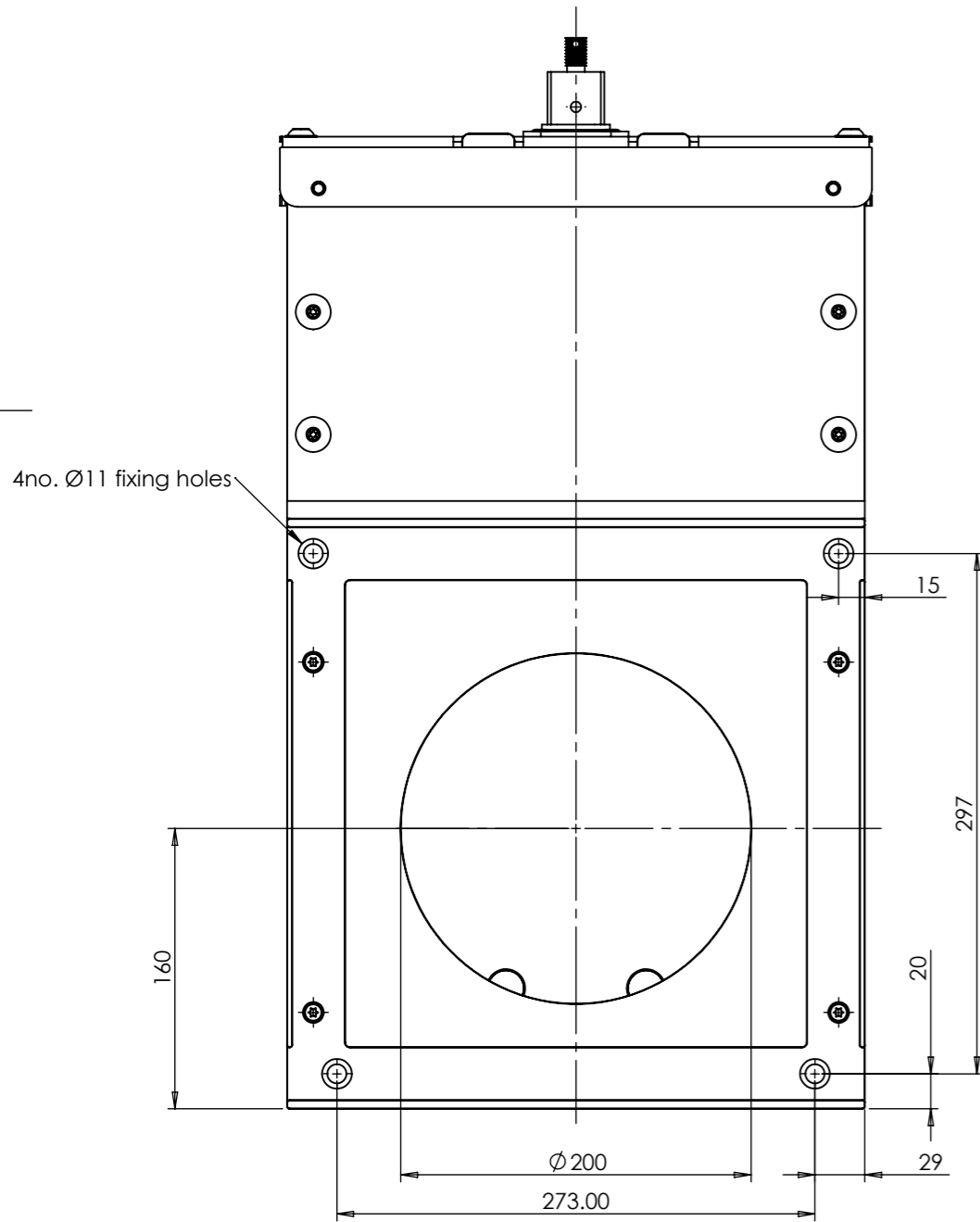
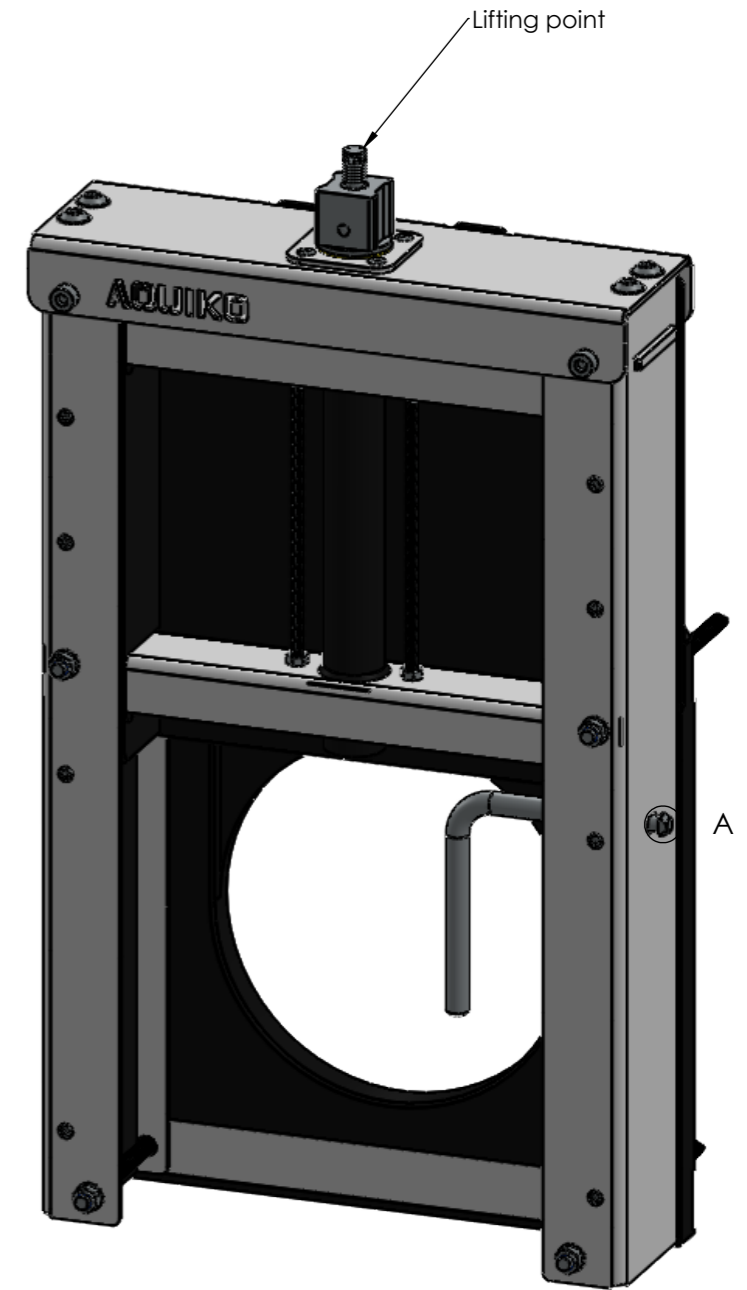


DETAIL A
SCALE 2 : 1



Materials:
 Plastic parts: HDPE
 Metallic Parts: Stainless Steel 316L
 Seals: EPDM Closed cell rubber
 Fitted using A4 stainless rods

	Name	Date
Received by		
Inspected by		
Assembled by		
Dispatched by		



NAME	DATE
DRAWN RE	13/12/2021
CHK'D	
APP'V'D	
WEIGHT (kg):	15.0

DO NOT SCALE DRAWING
 UNLESS OTHERWISE SPECIFIED: DIMENSIONS ARE IN MILLIMETERS LINEAR, ANGULAR AND EDGE TOLERANCES ARE TO ACE DOC. DRAWING STANDARDS-2018-JC-0

TITLE:
2-200-APS-PE GA.SLDDRW
SCALE 1:4 REVISION A