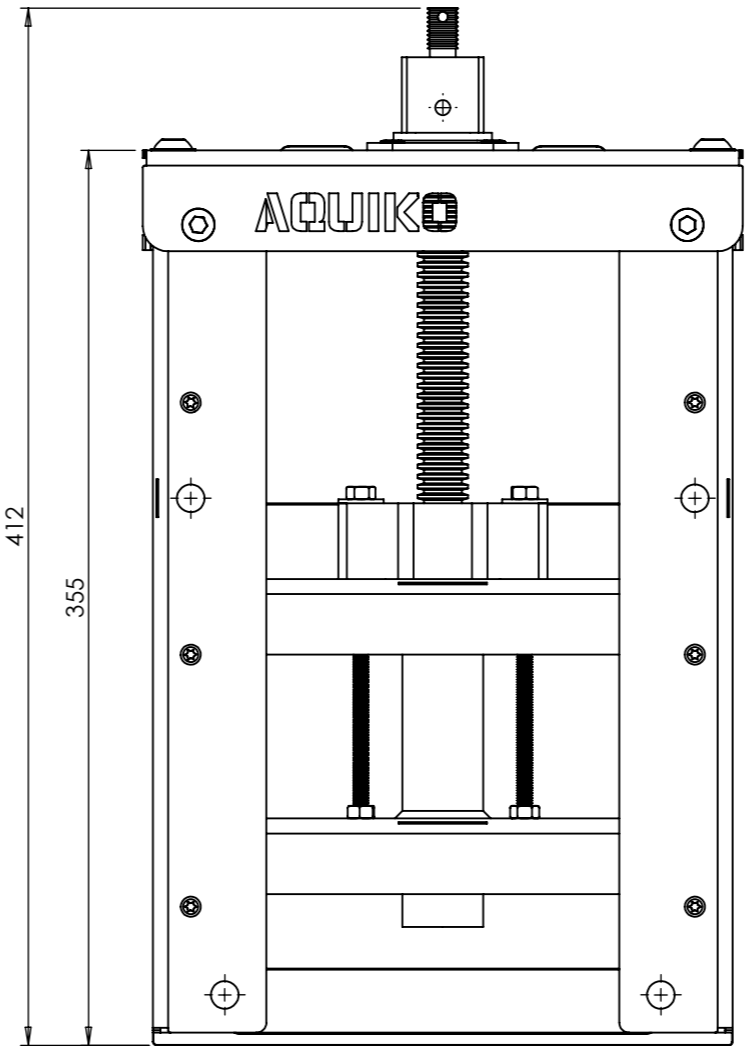
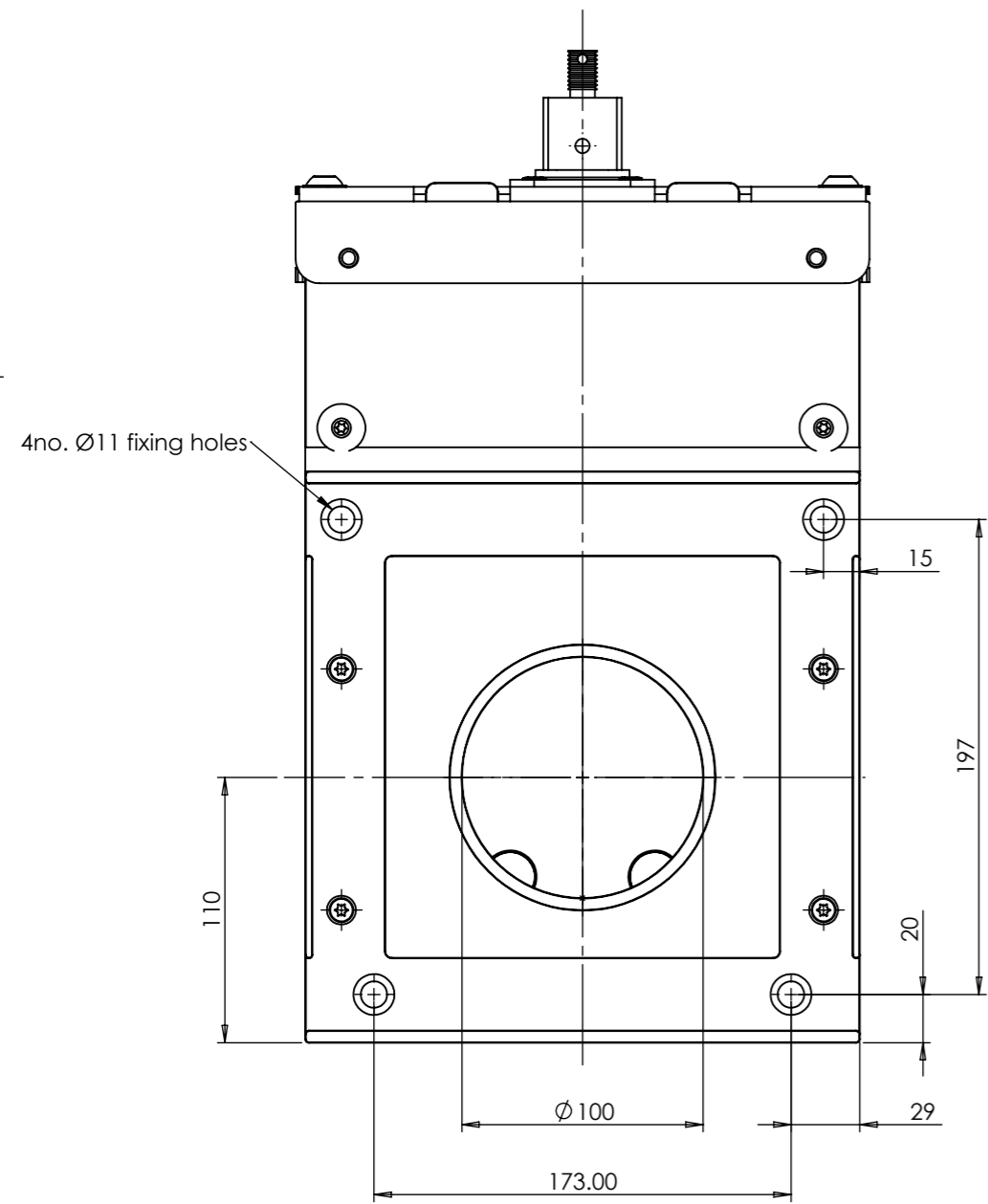
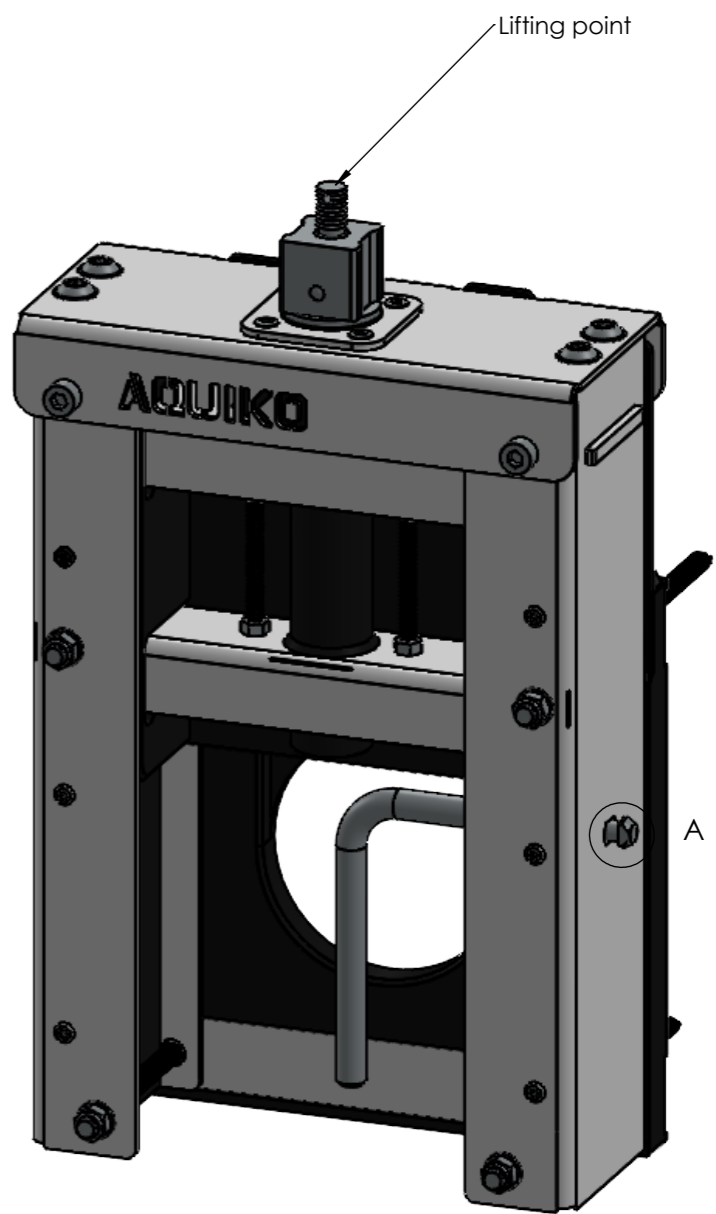
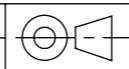


DETAIL A
SCALE 2 : 1



Materials:
Plastic parts: HDPE
Metallic Parts: Stainless Steel 316L
Seals: EPDM Closed cell rubber
Fitted using A4 stainless rods

	Name	Date
Received by		
Inspected by		
Assembled by		
Dispatched by		



	NAME	DATE
DRAWN	RE	13/12/2021
CHK'D	AT	15/12/2021
APP'VD	AT	15/12/2021
WEIGHT (kg):	9.2	

DO NOT SCALE DRAWING
UNLESS OTHERWISE SPECIFIED: DIMENSIONS ARE IN MILLIMETERS LINEAR, ANGULAR AND EDGE TOLERANCES ARE TO ACE DOC. DRAWING STANDARDS-2018-JC-0

TITLE:	2-100-APS-PE	
SCALE 1:3	REVISION A	SHEET 1 OF 1