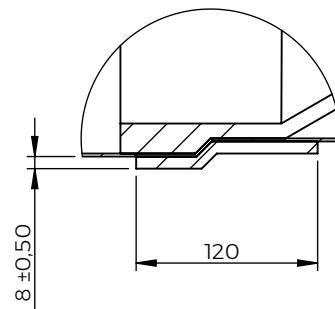
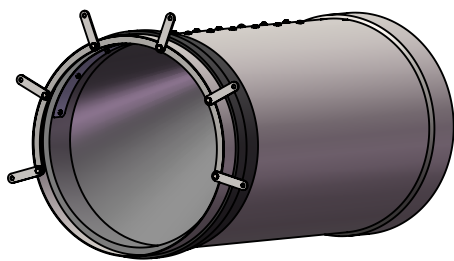


SECTION A-A

DETAIL B
SCALE 1:5



© 2017 Wapro AB. This document is subject to copyrights owned by Wapro AB. Any amendments, republication, retransmission, and/or reproduction of all or any part of the document is expressly prohibited, unless the copyright owner of the material has expressly granted its prior written consent. All other rights are reserved.

Designed By PM	Approved By MP	Created Date 2014-06-19	Units [mm]	General Tolerance SS-ISO 2768-1 m	Scale 1:20	
Material EN 1.4301 / EN 1.4404			Comments		Project Number	
Weight [kg] 53		Box Volume [m ³] 0,42	Description Wastop DN600			
 			Article Number WS590-S		Rev 2017-09-12	Sheet 1 (1)