



REDUCE HEAD LOSS

6MwC PRESSURE RATING AS STANDARD

QUICK INSTALLATION

AQUIKO Round Flap Valves offer a simple yet effective method of flood prevention. Installed in a variety of conditions to prevent backflow into outlets and minimise risk of flooding. The flap valve comprises of a door (the flap) with a hinge at the top which allows a fluid to pass in one direction but not the other. The humble flap valve may seem simple yet to make a simple solution brilliant requires a lot of thought. AQUIKO have given time to the flap valve, making a range in HDPE which is light to reduce head loss, minimise opening pressures and ease installation. Rather than setting a straightforward pressure rating on our valves AQUIKO recognise that with a range of valves based on a single design they suit a range of differing pressures which our customers can use to their advantage when designing their projects. AQUIKO therefore have a differing pressure rating for each size but with a minimum of 6MwC over 4 days to some being able to take over 10MwC!

Benefits of HDPE


HDPE is a brilliant material which in black is UV stable, is light and does not degrade in water. The low weight of the material and therefore small volumes required for our valve solutions ensure it's the lowest CO2 material currently in use for valves today. When a force is applied to HDPE, overtime the material creeps, this means that the shorter the time period where force is applied the greater the load that it can be subjected to. AQUIKO's calculations to determine its pressure rating for short term pressure are based on the materials strength over 4 days and long-term pressure over the course of a year, AQUIKO can however provide information for periods up to 25 years.

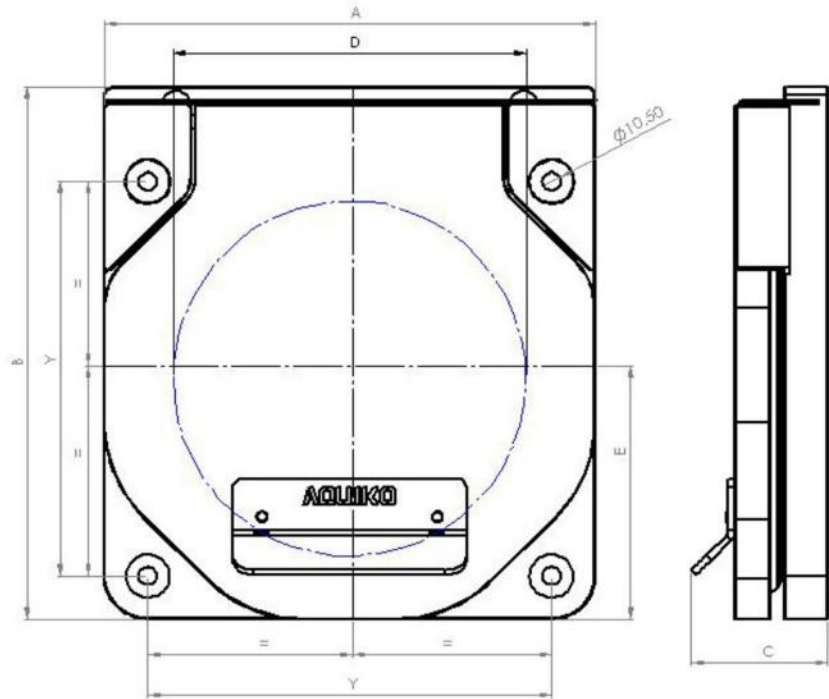
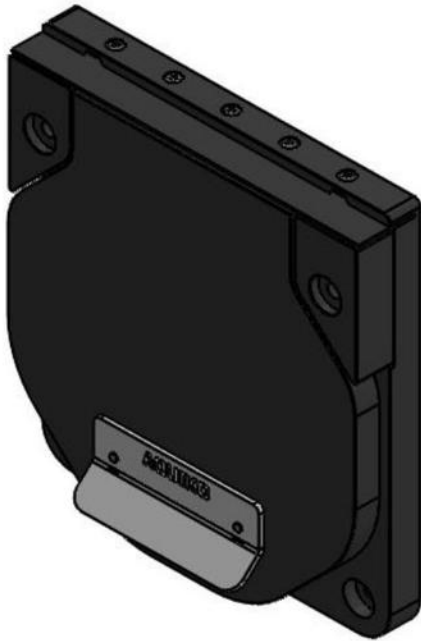


 Manufactured in the UK

 01777 819734

 info@aquiko.co.uk

 www.aquiko.co.uk



Diameter	A	B	C	E	Y	Weight (KG.)
110	190	22	80	95	160	1.7
125	205	235	80	102.5	175	1.9
160	240	270	80	120	210	2.5
200	280	310	80	140	230	3.2
250	330	360	90	165	280	4.8
315	395	425	90	197.5	345	6.5
400	480	510	105	240	420	10.8
500	580	610	105	290	520	14.9
600	800	865	250	400	815	41.6
700	900	965	275	450	915	52.1
800	1000	1065	300	500	1015	63.7
900	1100	1165	325	550	1115	76.5
1000	1200	1265	350	600	1215	90.4
1100	1300	1365	375	650	1315	105.6
1200	1400	1465	400	700	1415	121.9
1400	1600	1665	450	800	1615	158
1500	1700	1765	475	850	1715	180

Flap Valve: ARF-100 up to 500mm
 Materials: SS316, HDPE & EPDM
 Pressure: 6MwC



 Manufactured in the UK

01777 819734
 info@aquiko.co.uk
 www.aquiko.co.uk