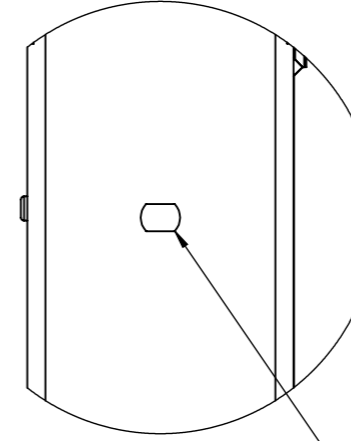
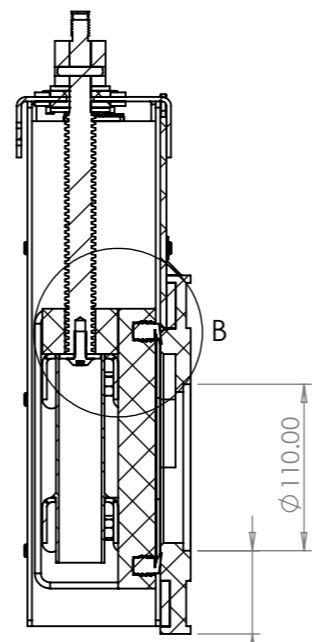
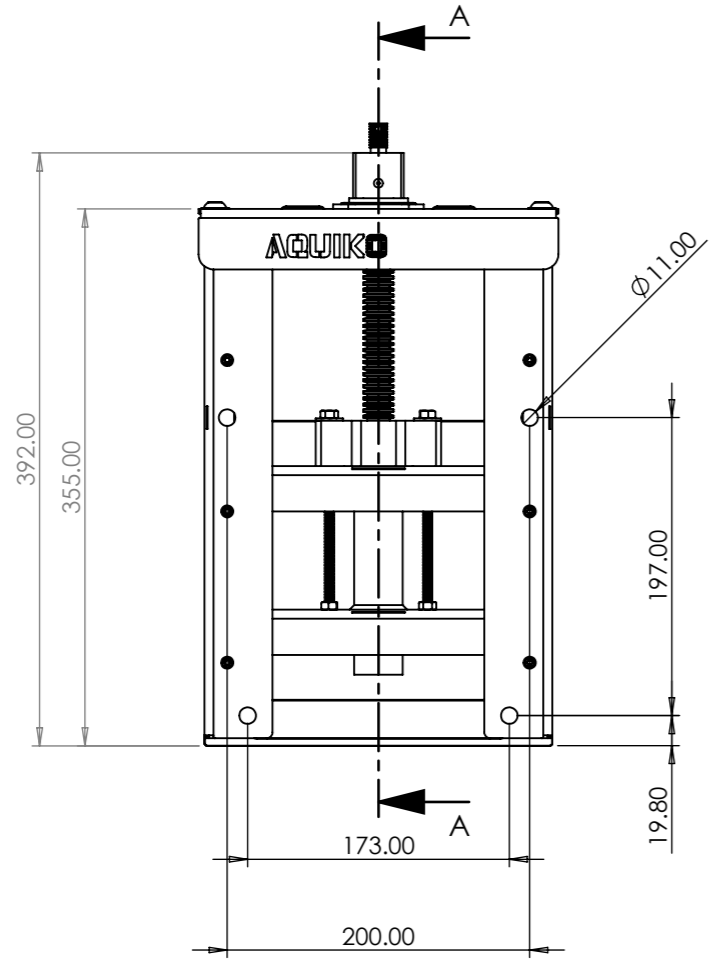
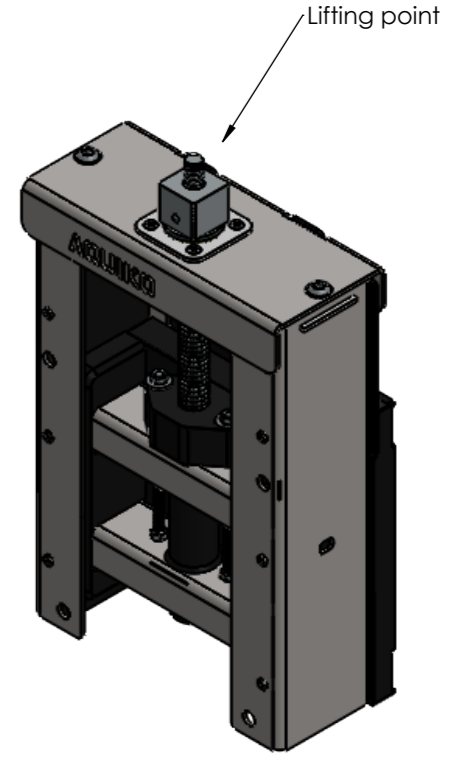


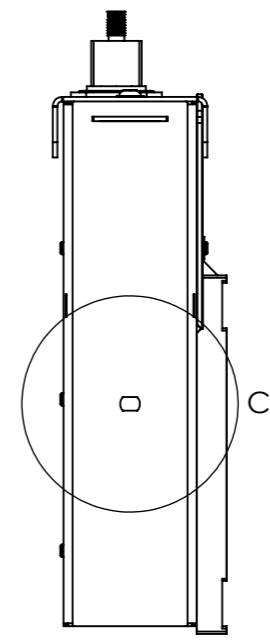
DETAIL B
SCALE 2 : 5



DETAIL C
SCALE 2 : 5



SECTION A-A



Safety locking facility for open position

	Name	Date
Received by		
Inspected by		
Assembled by		
Dispatched by		