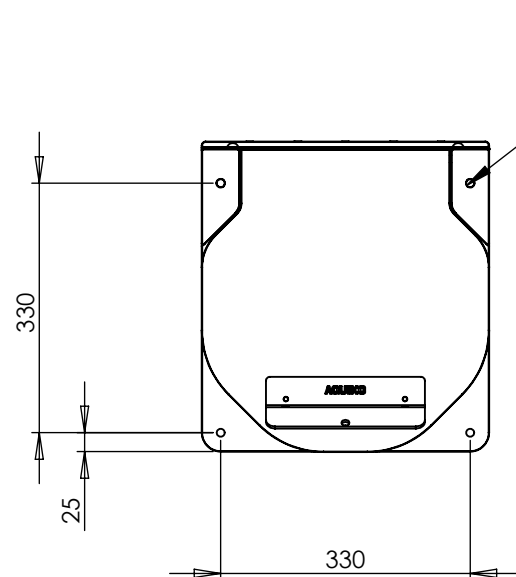
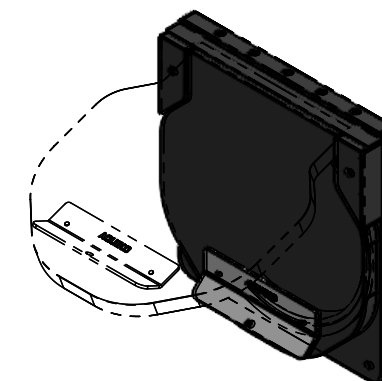
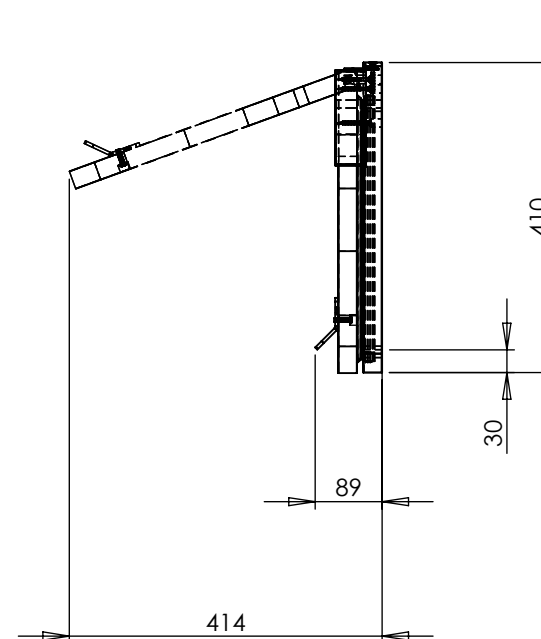


Sealed to structure using MS Polymer sealant



Fixed to structure using M8 A4 anchor rods and resin



Surface tolerance of sealing wall to be 2-3mm per linear metre.



NAME	DATE
DRAWN JC	2/2/21
CHK'D JC	2/2/21
APP'VD	

DO NOT SCALE DRAWING
UNLESS OTHERWISE SPECIFIED: DIMENSIONS ARE IN MILLIMETERS LINEAR, ANGULAR AND EDGE TOLERANCES ARE TO ACE DOC. DRAWING STANDARDS-2018-JC-0

TITLE:
300-ARF