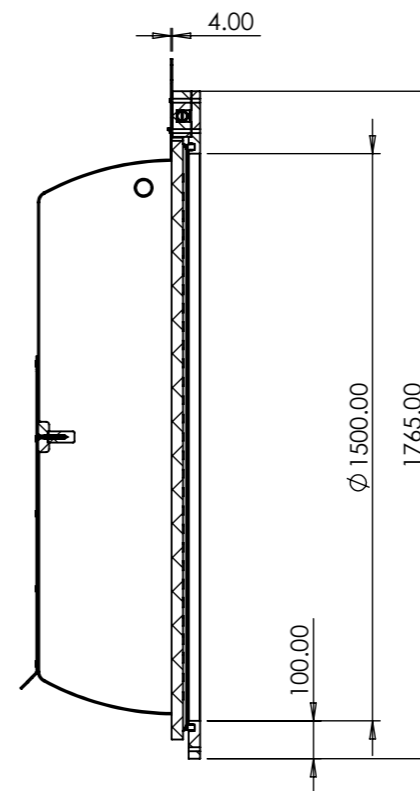
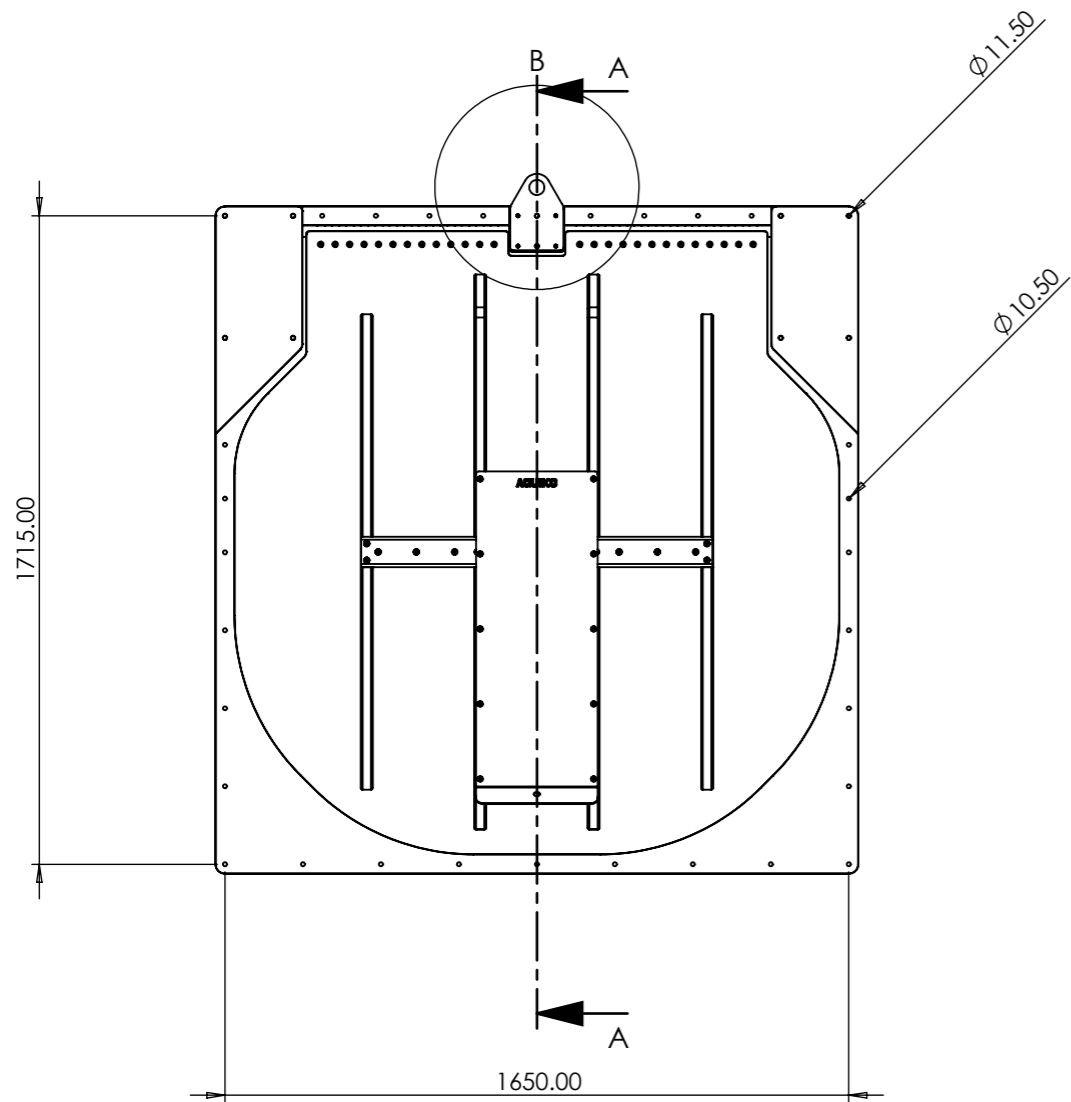
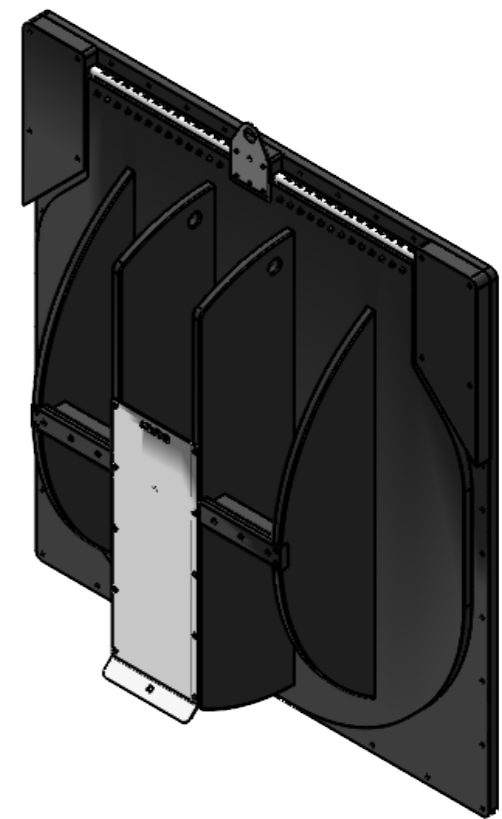


DETAIL B  
SCALE 1 : 10



SECTION A-A

Materials:  
 Flap and frame: HDPE  
 Metallic Parts: Stainless Steel 316L  
 Selas: EPDM Closed cell rubber  
 Fitted using Resin anchors and A4 stainless rods  
 Sealing surface tolerance to be 2-3mm per metre



| NAME      | DATE       |
|-----------|------------|
| DRAWN JC  | 26/02/2021 |
| CHK'D JC  | 07/03/2021 |
| APP'VD JC | 07/03/2021 |

DO NOT SCALE DRAWING  
 UNLESS OTHERWISE SPECIFIED: DIMENSIONS ARE IN MILLIMETERS LINEAR, ANGULAR AND EDGE TOLERANCES ARE TO ACE DOC. DRAWING STANDARDS-2018-JC-0

TITLE: 1500 ARF Flapvalve

1500-ARF-MED