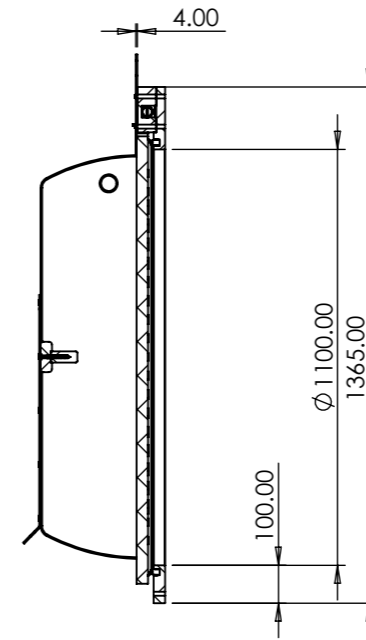
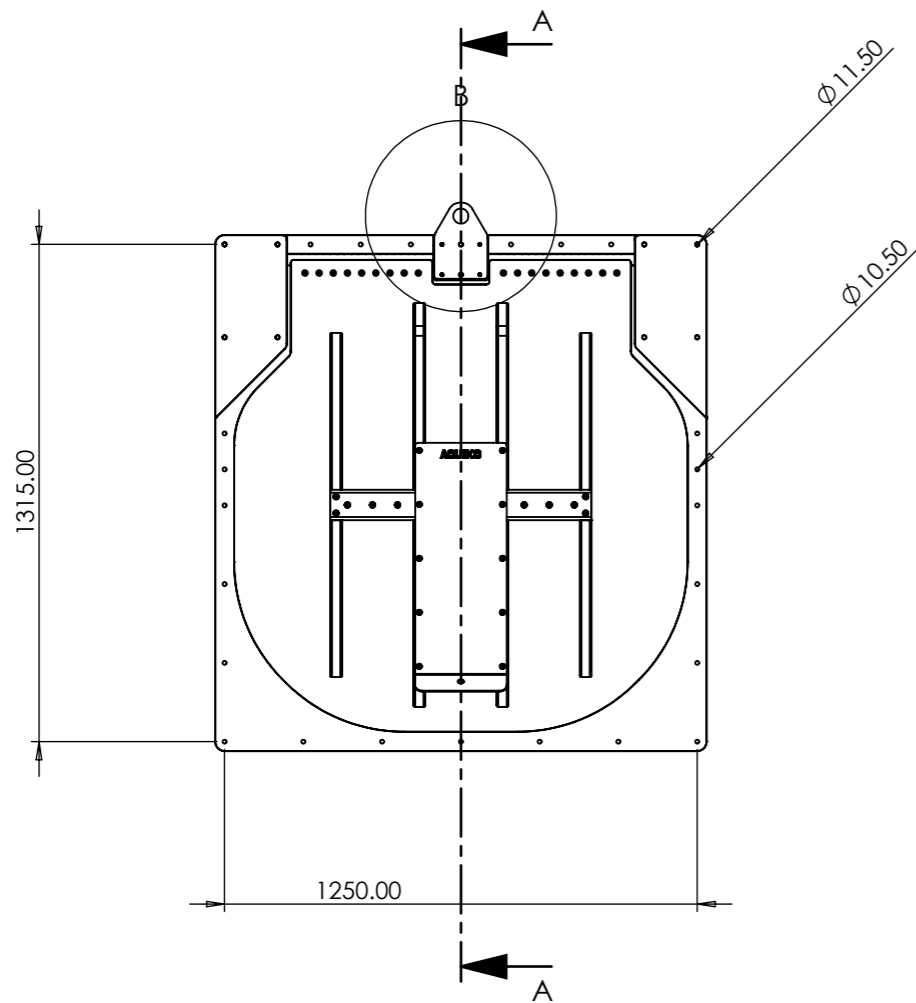
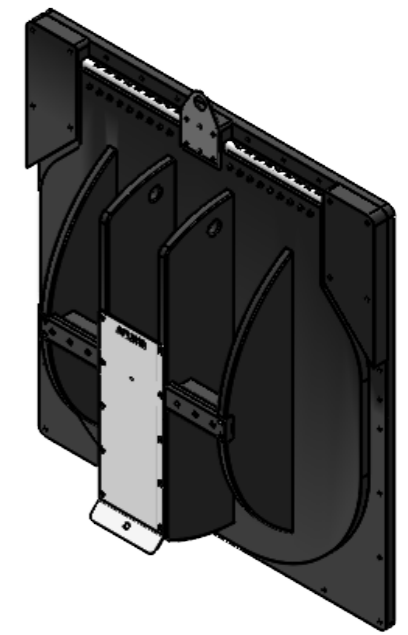
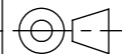


DETAIL B
SCALE 1 : 10



SECTION A-A

Materials:
 Flap and frame: HDPE
 Metallic Parts: Stainless Steel 316L
 Selas: EPDM Closed cell rubber
 Fitted using Resin anchors and A4 stainless rods
 Sealing surface tolerance to be 2-3mm per metre



NAME	DATE
DRAWN JC	26/02/2021
CHK'D JC	07/03/2021
APP'V'D JC	07/03/2021

DO NOT SCALE DRAWING
 UNLESS OTHERWISE SPECIFIED: DIMENSIONS ARE IN MILLIMETERS LINEAR, ANGULAR AND EDGE TOLERANCES ARE TO ACE DOC. DRAWING STANDARDS-2018-JC-0

TITLE: 1100 ARF Flapvalve

1100-ARF-MED

WEIGHT (kg):

Material:

SCALE 1:20

REVISION A