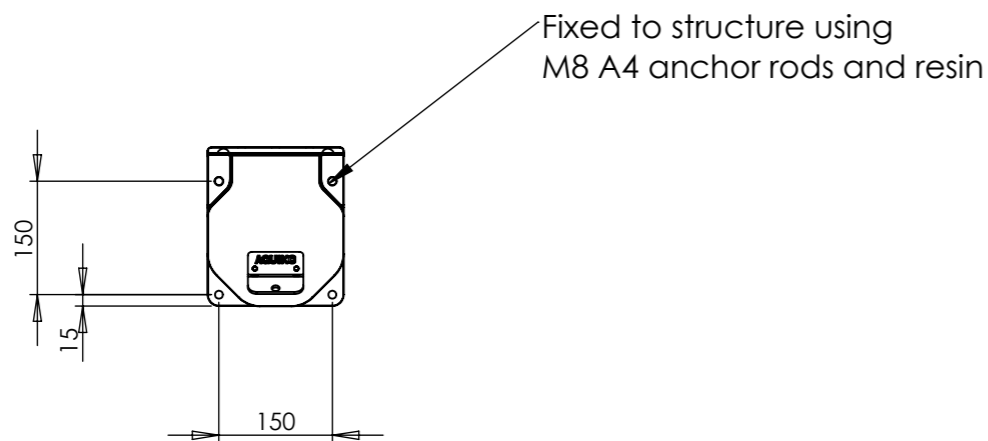
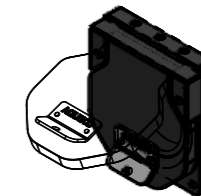
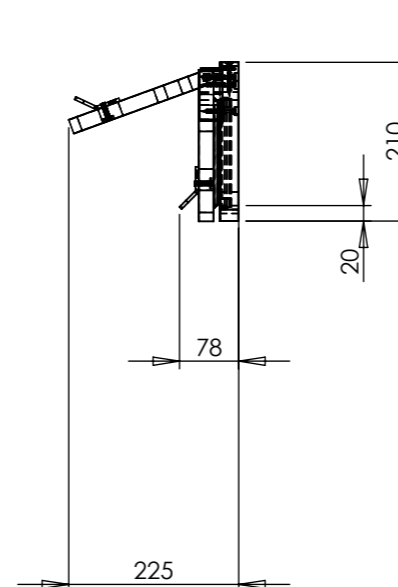


Sealed to structure using MS Polymer sealant



Fixed to structure using M8 A4 anchor rods and resin



Surface tolerance of sealing wall to be 2-3mm per linear metre.



NAME	DATE
DRAWN Admin	2/2/21
CHK'D JC	2/2/21
APPV'D	

DO NOT SCALE DRAWING  
UNLESS OTHERWISE SPECIFIED: DIMENSIONS ARE IN MILLIMETERS LINEAR, ANGULAR AND EDGE TOLERANCES ARE TO ACE DOC. DRAWING STANDARDS-2018-JC-0

TITLE:

100-ARF

WEIGHT (kg): 2

Material: HDPE and Stainless Steel 316

SCALE 1:10

REVISION 0